



AIR TORQUE

AIR TORQUE S.p.A.
 via dei Livelli di Sopra, 8/11
 24060 Costa di Mezzate(Bg) Italy
 Tel.: +39 035 682299
 Fax: +39 035 687791
 E-mail: info@airtorque.it

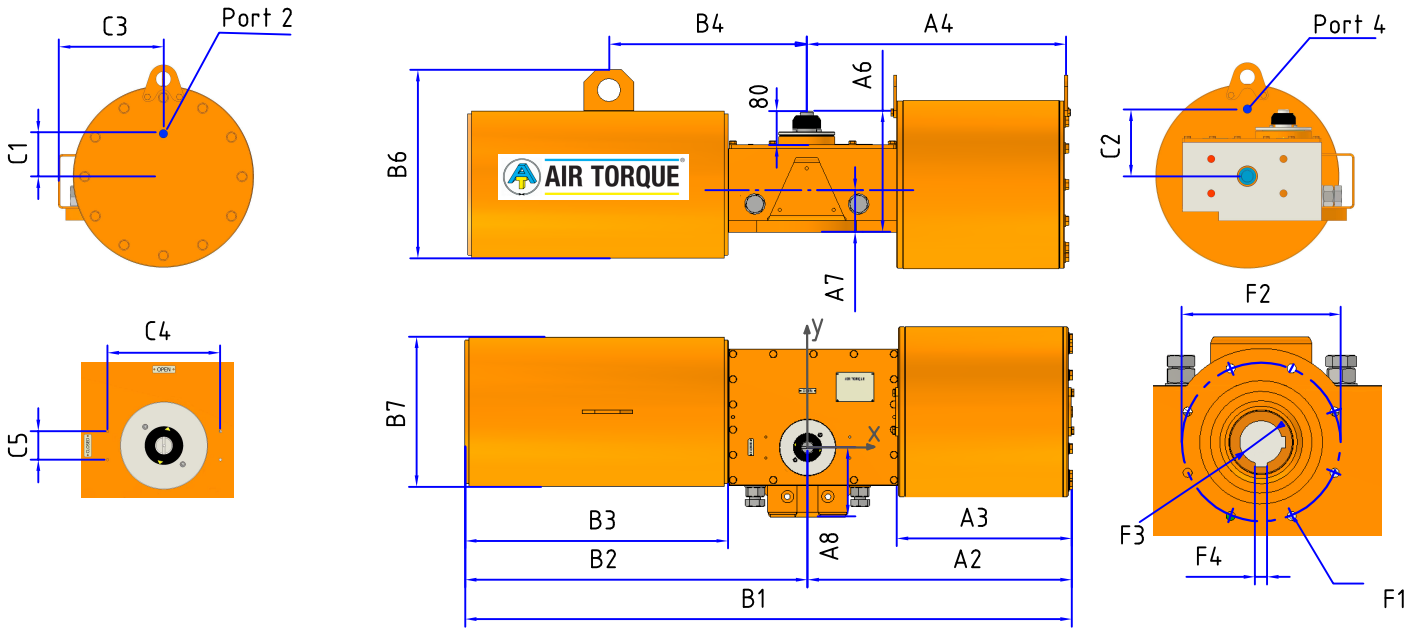
Model
AT-HD-085-P335I

T.D.S. n° AT-HD-085-P335I

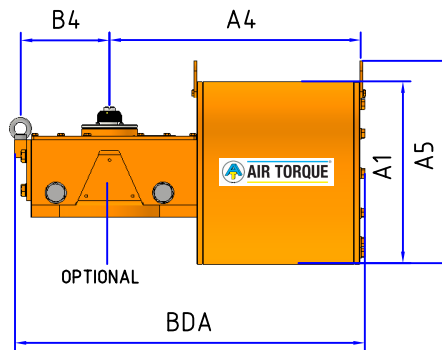
Issued on: 08/14 - Page 1/2

Dimensions in inches

SPRING RETURN



DOUBLE ACTING

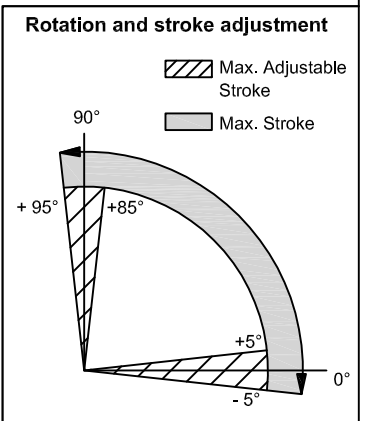


Center of gravity			
	SET	X	Y
DA	-	9,06	2,71
SR	02	-1,14	2,94
	04	-1,37	2,94
	06	-1,90	2,96
	08	-3,51	2,97

Actuator dimension					
SPRING SET	02	04	06	08	DA
A1	14,02	14,02	14,02	14,02	14,02
A2	24,72	24,72	24,72	24,72	24,72
A3	16,18	16,18	16,18	16,18	16,18
A4	24,29	24,29	24,29	24,29	24,29
A5	16,38	16,38	16,38	16,38	16,38
A6	11,50	11,50	11,50	11,50	11,50
A7	4,53	4,53	4,53	4,53	4,53
A8	6,54	6,54	6,54	6,54	6,54
B1	56,93	56,93	56,93	60,28	-
B2	32,20	32,20	32,20	35,55	-
B3	24,76	24,76	24,76	28,11	-
B4	18,78	18,78	18,78	22,13	8,50
BDA	-	-	-	-	33,94
B6	17,95	17,95	17,95	17,95	-
B7	14,02	14,02	14,02	14,02	-
WEIGHT (lbs)	715	724	743	723	459

Pressure connection	
PORT 2 AND 4	G1/2"
	1/2"NPT
C1	1,97
C2	5,51
C3	9,88
Ancillary Attachment	
SIZE	AA5
C4	7,87
C5	1,97
HOLES	M6

ISO 5211 Interface		
	STD	OPTIONAL
ISO 5211	F25	
F1	M16X1,18	
F2	10,00	
F3	2,83H7	
F4	0,787D10	
Connection keyed bore depth	8,70	



Technical data													
Rotation STD	Air volume (in ³)				Approx. Moving time (sec.)(A)				Operating temperature range (°F)				
	Symmetric		Canted		DA		SR		S			H	L
	opening	closing	opening	closing	opening	closing	opening	closing					
0°-90°	1229	1181	1176	1268	0,8	0,7	1,8 ÷ 2,6	1,7 ÷ 2,5	-40 to +176			+5 to +302	-

Note:
 A- Moving time test conditions: 90° stroke; Kv Supply system 2,7; no resistance load applied.
 B- For operation, maintenance and services refer to the manual instruction IMAT AT-HD.
 C- Maximum transmissible torque: 70.805 lbin (see M.O.P. for different configuration).

THIS DATA SHEET IS PROPERTY OF AIR TORQUE S.p.A COSTA DI MEZZATE.- ITALY AND ALL RIGHTS OF USE AND REPRODUCTION ARE RESERVED.
 DUE TO CONTINUOUS PRODUCT DEVELOPMENT THIS DATA SHEET MAY BE SUBJECT TO CHANGE WITHOUT PRIOR NOTICE DURING THE TIME. CONTACT AIR TORQUE FOR THE AVAILABILITY OF THE UPDATED DATA SHEET.



AIR TORQUE

AIR TORQUE S.p.A.
 via dei Livelli di Sopra, 8/11
 24060 Costa di Mezzate(Bg) Italy
 Tel.: +39 035 682299
 Fax: +39 035 687791
 E-mail: info@airtorque.it

Model
AT-HD-085-P335I

T.D.S. n° AT-HD-085-P335I
 Issued on: 08/14 - Page 2/2

SYMMETRIC YOKE

DOUBLE ACTING OUTPUT TORQUE (Lb-in)

Supply pressure	40 PSI		50 PSI		60 PSI		70 PSI		80 PSI		100 PSI		120 PSI		150 PSI	
Position	opening	closing	opening	closing	opening	closing	opening	closing	opening	closing	opening	closing	opening	closing	opening	closing
Start	25.873	25.392	32.342	31.740	38.810	38.088	45.278	44.436	51.747	50.784	M.O.P. exceeded					
Run	15.084	14.803	18.855	18.504	22.626	22.205	26.397	25.906	30.168	29.607	M.O.P. exceeded					
End	28.748	28.214	35.935	35.267	43.122	42.320	50.309	49.374	57.496	56.427	M.O.P. exceeded					

SPRING RETURN OUTPUT TORQUE (Lb-in)

	Position	Spring - torque	Supply pressure - opening													
			40 PSI	50 PSI	60 PSI	70 PSI	80 PSI	100 PSI	120 PSI	150 PSI						
SPRING SET 02	Start	13.276	16.846	23.314						M.O.P. exceeded						
	Run	5.793	9.291	13.062						M.O.P. exceeded						
	End	9.028	15.472	22.659						M.O.P. exceeded						
SPRING SET 04	Start	19.914	12.332	18.800	25.268	31.737					M.O.P. exceeded					
	Run	8.689	6.395	10.166	13.937	17.708					M.O.P. exceeded					
	End	13.542	8.834	16.021	23.208	30.395					M.O.P. exceeded					
SPRING SET 06	Start	30.978			17.745	24.214	30.682	43.619			M.O.P. exceeded					
	Run	13.516			9.110	12.881	16.652	24.194			M.O.P. exceeded					
	End	21.065			12.145	19.332	26.519	40.893			M.O.P. exceeded					
SPRING SET 08	Start	42.041					23.159	36.096	49.032		M.O.P. exceeded					
	Run	18.343					11.824	19.366	26.908		M.O.P. exceeded					
	End	28.588					15.455	29.829	44.203		M.O.P. exceeded					

CANTED YOKE

DOUBLE ACTING OUTPUT TORQUE (Lb-in)

Supply pressure	40 PSI		50 PSI		60 PSI		70 PSI		80 PSI		100 PSI		120 PSI		150 PSI	
Position	opening	closing	opening	closing	opening	closing	opening	closing	opening	closing	opening	closing	opening	closing	opening	closing
Start	38.696	20.012	48.370	25.015	58.044	30.018	M.O.P. exceeded									
Run	14.765	14.691	18.457	18.363	22.148	22.036	M.O.P. exceeded									
End	21.831	41.186	27.289	51.483	32.747	61.780	M.O.P. exceeded									

SPRING RETURN OUTPUT TORQUE (Lb-in)

	Position	Spring - torque	Supply pressure - opening												
			40 PSI	50 PSI	60 PSI	70 PSI	80 PSI	100 PSI	120 PSI	150 PSI					
SPRING SET 02	Start	10.656	25.056	34.730						M.O.P. exceeded					
	Run	6.190	8.575	12.267						M.O.P. exceeded					
	End	13.640	11.175	16.633						M.O.P. exceeded					
SPRING SET 04	Start	15.993	18.225	27.899	37.573	47.247				M.O.P. exceeded					
	Run	9.290	5.475	9.167	12.858	16.549				M.O.P. exceeded					
	End	20.471	5.838	11.296	16.753	22.211				M.O.P. exceeded					
SPRING SET 06	Start	24.888			26.172	35.846	45.520	64.868		M.O.P. exceeded					
	Run	14.459			7.689	11.380	15.072	22.454		M.O.P. exceeded					
	End	31.872			7.858	13.316	18.774	29.690		M.O.P. exceeded					
SPRING SET 08	Start	33.801					34.130	53.478		M.O.P. exceeded					
	Run	19.633					9.897	17.280		M.O.P. exceeded					
	End	43.262					9.861	20.777		M.O.P. exceeded					

- M.O.P.: Maximun Operating Pressure.

- Torque values refer to: Counterclockwise rotation for opening and Clockwise rotation for closing (top view).

- TORQUES / POSITIONS:

