



# AIR TORQUE

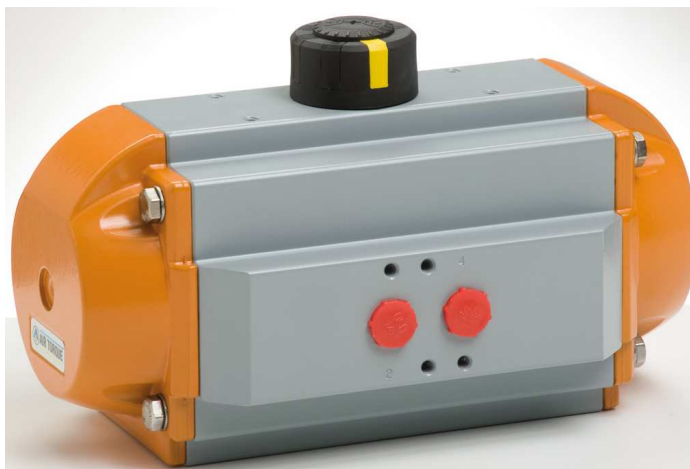
**AIR TORQUE S.p.A.**  
 via dei Livelli di Sopra, N° 8/11  
 24060 Costa di Mezzate(Bg) Italy  
 Tel.: +39 035 682299  
 Fax: +39 035 687791  
 E-mail: info@airtorque.it

**T.D.S. n° N00400HE**

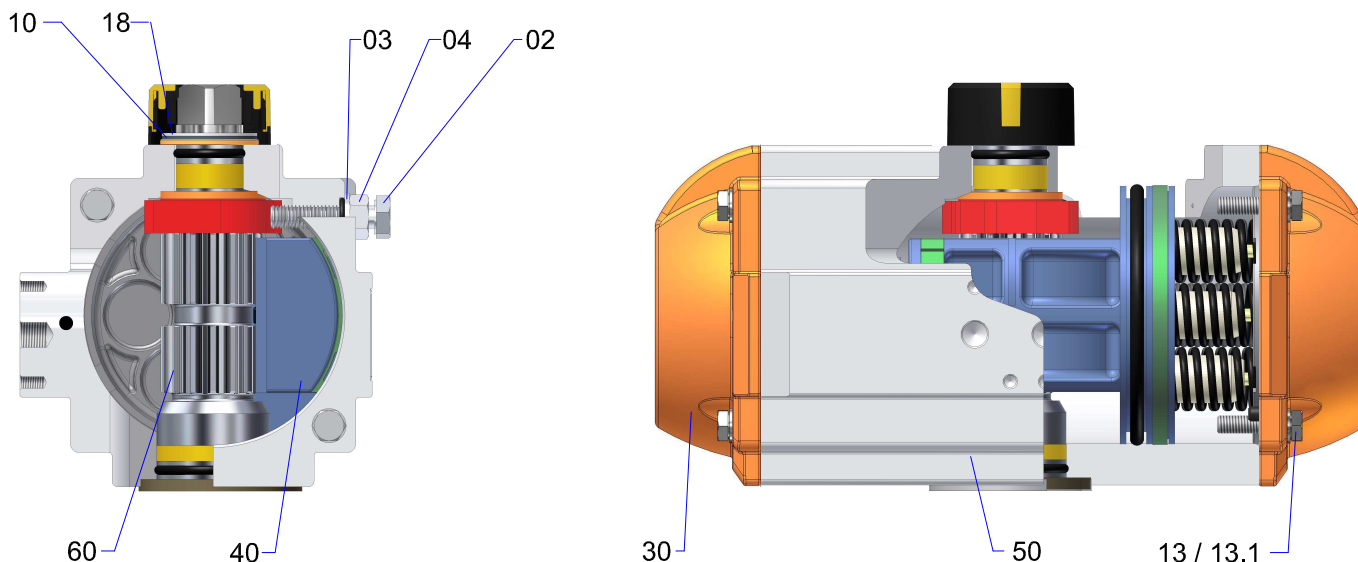
Issued on: 11/15 - Page 1/1

## COATING SPECIFICATION FOR PT "N" Series PROTECTION LEVEL "H"

**RAL 2011**



### PARTS AND COATING SPECIFICATION



PART N°	UNIT Q.TY / NOTE	PART DESCRIPTION	STANDARD MATERIAL	CORROSION PROTECTION	COATING THICKNESS IN $\mu$	STANDARD COLOUR
02	2 NA for PT045	STOP CAP SCREW (lubricated with PTFE grease)	Stainless Steel A2 70 (ISO 3506)	/	/	/
03	2 NA for PT045	WASHER	Stainless Steel A2 (ISO 3506)	/	/	/
04	2 NA for PT045	NUT (Stop screw)	Stainless Steel A2 70 (ISO 3506)	/	/	/
10	1 for PT045 + PT800	THRUST WASHER (Pinion)	Stainless Steel AISI 304	/	/	/
13	8/12/16 for PT045 + PT800	CAP SCREW (End cap) (lubricated with PTFE grease)	Stainless Steel A2 70 (ISO 3506)	/	/	/
13.1	16 only for PT1000	WASHER (Cap Screw end cap)	Stainless Steel A2 70 (ISO 3506)	/	/	/
18	1 for PT045 + PT1000	SMALLEY SPRING CLIP (Pinion)	Stainless Steel AISI 302	/	/	/
30	for PT045 + PT800	END CAP	Pressure Die Cast Aluminium alloy	Anodized + • 1 <sup>st</sup> C. Poliester coated	15 - 20	RAL2011
	only for PT1000		Cast Aluminium alloy		80 - 90	
40	for PT045 + PT800	PISTON	Pressure Die Cast Aluminium alloy	Anodized	10 - 20	Black
	only for PT1000		Cast Aluminium alloy			
50	for PT045 + PT750	BODY	Extruded Aluminium alloy	Anodized + • 1 <sup>st</sup> C. PTFE coating	25 25 - 35	Light Grey
	for PT800 and PT1000		Cast Aluminium alloy		Anodized + • 1 <sup>st</sup> C. Primer coating • 2 <sup>nd</sup> C. Expoy coating	
60	for PT050N + PT800	DRIVE SHAFT	Steel	E.N.P.	50	/
	for PT045 + PT1000		Extruded Aluminium alloy	Anodized	20 - 25	

Note: For not above mentioned parts, material and description see T.D.S PT045-MC / PT100+PT050N-MC / PT200-PT650-MC / PT750-MC / PT800-MC / PT1000-MC

This data sheet is property of AIR TORQUE S.p.A. Costa di Mezzate - Italy and all rights of use and reproduction are reserved.  
 Due to continuous development product data is subject to change without prior notice.

T.D.S. N00400HE