



# AIR TORQUE

**AIR TORQUE S.p.A.**  
 via dei Livelli di Sopra, N° 8/11  
 24060 Costa di Mezzate (Bg) Italy  
 Tel.: +39 035 682299  
 Fax: +39 035 687791  
 E-mail: info@airtorque.it

T.D.S. n° N00400LE

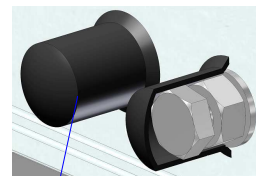
Issued on: 11/15 - Page 1/1

## COATING SPECIFICATION FOR PT "N" Series PROTECTION LEVEL "L"

**LIGHT GREY**

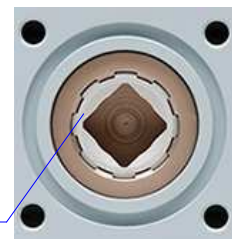


**Plastic Caps Detail**



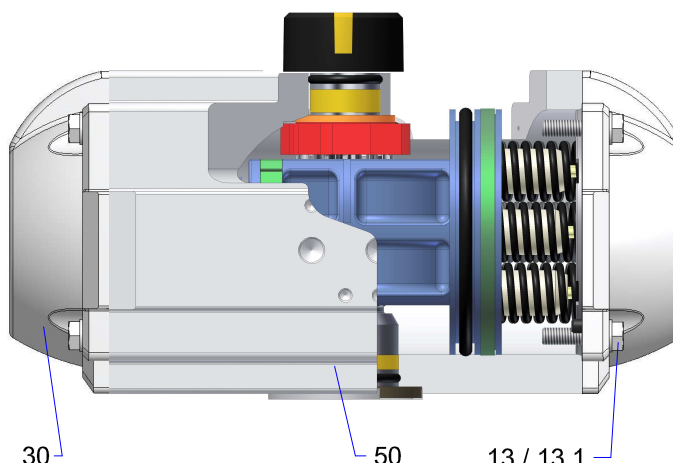
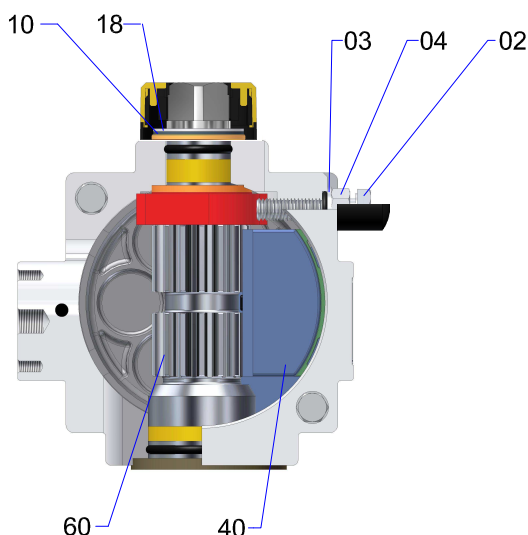
02P

**Bushing Detail**



61

### PARTS AND COATING SPECIFICATION



PART N°	UNIT Q.TY / NOTE	PART DESCRIPTION	STANDARD MATERIAL	CORROSION PROTECTION	COATING THICKNESS IN µ	STANDARD COLOUR
02	2 NA for PT045	STOP CAP SCREW (lubricated with PTFE grease)	Stainless Steel A2 70 (ISO 3506)	/	/	/
02P	2 NA for PT045	PLASTIC CAPS (STOP SCREW)	LLD-PE	/	/	/
03	2 NA for PT045	WASHER	Stainless Steel A2 (ISO 3506)	/	/	/
04	2 NA for PT045	NUT (Stop screw)	Stainless Steel A2 70 (ISO 3506)	/	/	/
10	1 for PT045 + PT800	THRUST WASHER (Pinion)	Stainless Steel AISI 304	/	/	/
13	8/12/16 for PT045 + PT800	CAP SCREW (End cap) (lubricated with PTFE grease)	Stainless Steel A2 70 (ISO 3506)	/	/	/
13.1	16 only for PT1000	WASHER (Cap Screw end cap)	Stainless Steel A2 70 (ISO 3506)	/	/	/
18	1 for PT045 + PT1000	SMALLEY SPRING CLIP (Pinion)	Stainless Steel AISI 302	/	/	/
30	2 for PT045 + PT800	END CAP	Pressure Die Cast Aluminium alloy	Anodized + • 1 <sup>st</sup> C. PTFE coating	15 - 20 25 - 30	Light Grey
	only for PT1000		Cast Aluminium alloy	Anodized + • 1 <sup>st</sup> C. PTFE coating	15 - 20 50 - 60	
40	2 for PT045 + PT800 only for PT1000	PISTON	Pressure Die Cast Aluminium alloy Cast Aluminium alloy	Anodized	10 - 15	Black
50	1 for PT045 + PT750	BODY	Extruded Aluminium alloy	Anodized + • 1 <sup>st</sup> C. PTFE coating	30 - 35 25 - 30	Light Grey
	for PT800 and PT1000		Cast Aluminium alloy	Anodized + • 1 <sup>st</sup> C. PTFE coating	30 - 35 50 - 60	
60	1 for PT050 + PT200	DRIVE SHAFT	Extruded Aluminium alloy	Anodized	22 - 27	/
	for PT250 + PT600					
	for PT045 + PT650 + PT1000					
61	1 for PT050 + PT200	SQUARE REDUCTION	Sintered Stainless Steel	/	/	/
	for PT250 + PT600	DRIVE BUSHING	Extruded Aluminium alloy	Anodized	20 - 25	/

Note: For not above mentioned parts, material and description see T.D.S PT045-MC / PT100+PT050N-MC / PT200-PT650-MC / PT750-MC / PT800-MC / PT1000-MC